

## REMA YA ratchet hoist



Model REMA YA ratchet hoist is a robust ratchet lever hoist suitable for lifting, pulling, tensioning and lashing in any directions.

### Properties

- Grade 10 Galvanized load chain with high tensile strength (EN 818/7).
- Compact construction and very low self-weight.
- Reliable self-locked brake which will retain the load at every required height.
- Hooks provided with safety latches.
- In case of overload, the hooks will gradually bend and do not suddenly break off.
- Patented guide for the load chain.
- A double spring on each catch for additional safety.

### Standard delivery

- 1,5 m lifting height (max distance between top and bottom hookpositions).

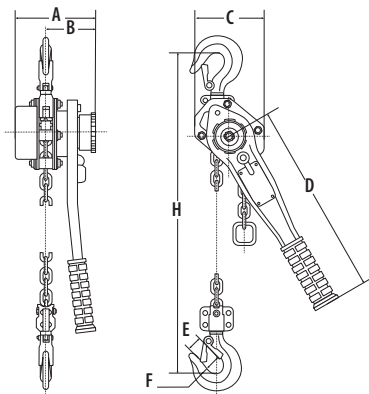
### Option

- Available in other lifting heights.

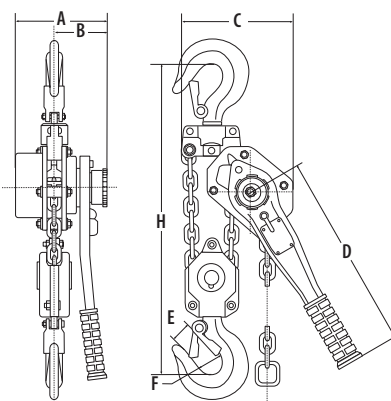
### Norm:

- EN12100-1/2, EN13157, EN818-7

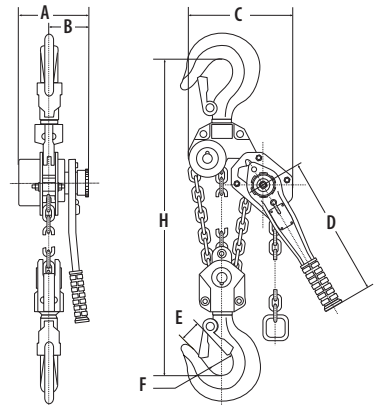
1.0-3.2 t



6.3 t



9.0 t



Type	WLL (kg)	Hand force max. (kg)	Load chain (mm)	Number of falls	Construction height (mm)	Weight (kg)	ProductId
YA-1000KG	1.000	37	5,6 x 17,1	1	312	6.2	0208003
YA-1600KG	1.600	37	7,1 x 21,0	1	352	9.2	0208005
YA-3200KG	3.200	37	9,0 x 27,2	1	420	15.5	0208007
YA-6300KG	6.300	38	9,0 x 27,2	2	564	26.5	0208009
YA-9000KG	9.000	39	9,0 x 27,2	3	589	42.0	0208011

Type	A (mm)	B (mm)	C (mm)	D (mm)	E (mm)	F (mm)	H (mm)
YA-1000KG	144	91	122	268	28	43	312
YA-1600KG	162	99	136	310	29	43	352
YA-3200KG	186.5	104	180	310	36	53	420
YA-6300KG	186.5	104	235	310	47	70	564
YA-9000KG	186.5	104	300	310	73	85	689